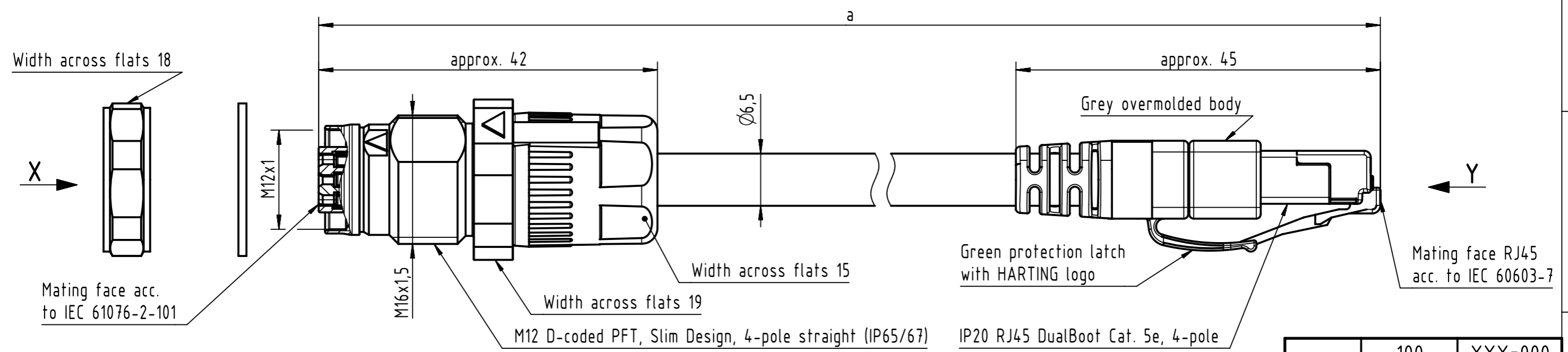
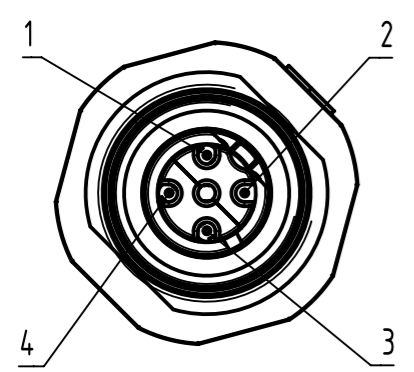


Connector Location A

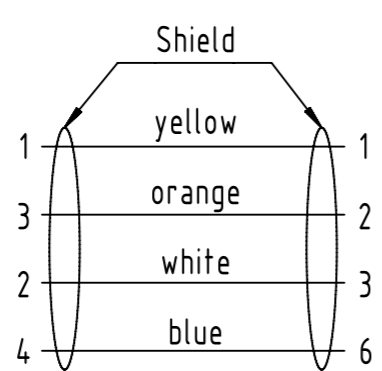
Connector Location B



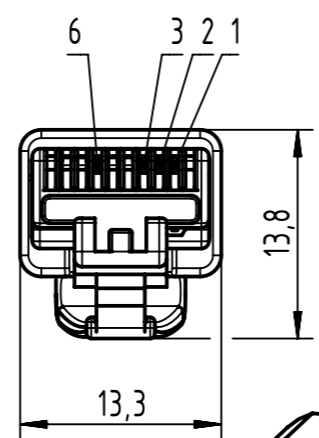
**X**  
female  
(without nut and seal)



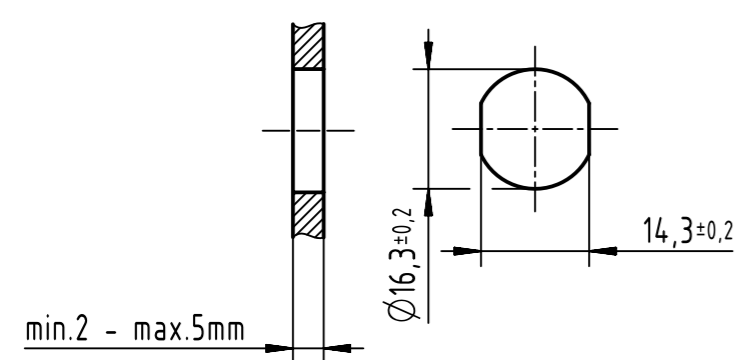
Loading Plan



**Y**  
male



Panel cut out



- Temperature range: -40°C ... +70°C  
- Nut and seal pre-packaged in a separate poly-bag within the main poly-bag

length in "1m" step	100	XXX=000
	99	XXX=990
	12	XXX=120
	11	XXX=110
length in "0.1m" step	10	XXX=100
	9.9	XXX=099
	9.8	XXX=098
	0.5	XXX=005
	0.4	XXX=004
	0.3	XXX=003
	0.2	XXX=002
Step	a [m]	XXX

6.0 to 100	±1%
0.6 to 5.9	+0.04
0.2 to 0.5	+0.02
a [m]	Tolerance

RJ45 Ethernet Trailing Cable, 4xAWG 22/7, PUR, Cat. 5+, green	09484568004XXX
Type of cable	Part no.

All Dimensions in mm		Tech. Character.		Free size tol.		According to production drawing	
All rights reserved		Created by	Inspected by	Standardisation	Date	State	
Department HCS - RO		MUNTEANV Muntean	MUNTEANV Muntean	MUNTEANV Muntean	2022-02-02	Final Release	
HARTING Customised Solutions		Title M12 D-Cod PFT female - RJ45 PUR				Doc-Key / ECM-Nr. 100874756/UGD/000/A 500000210418	
D-32339 Espelkamp		Type TB	Number 09484568004XXX			Rev. A	Page 1/1